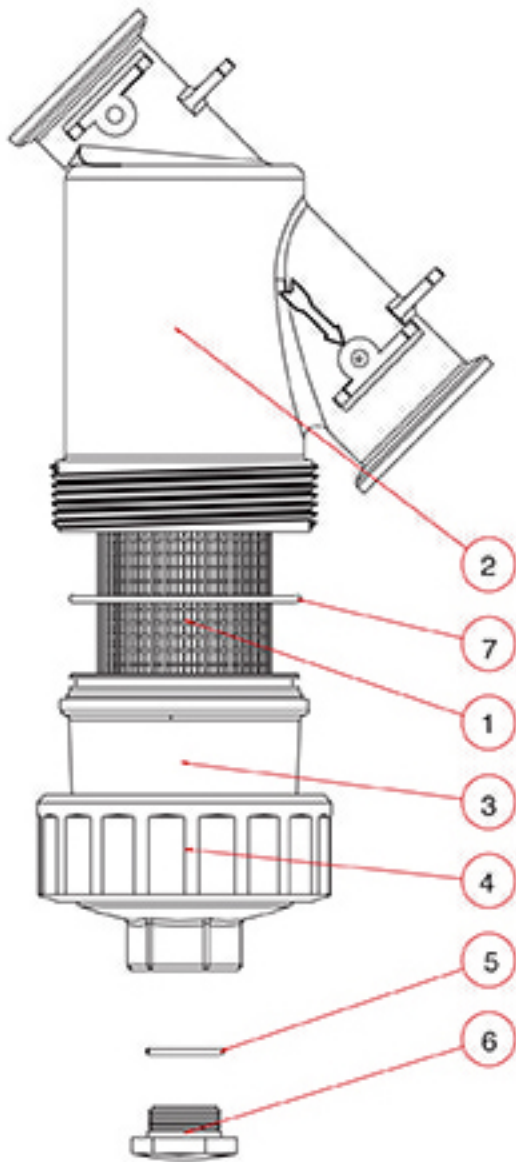
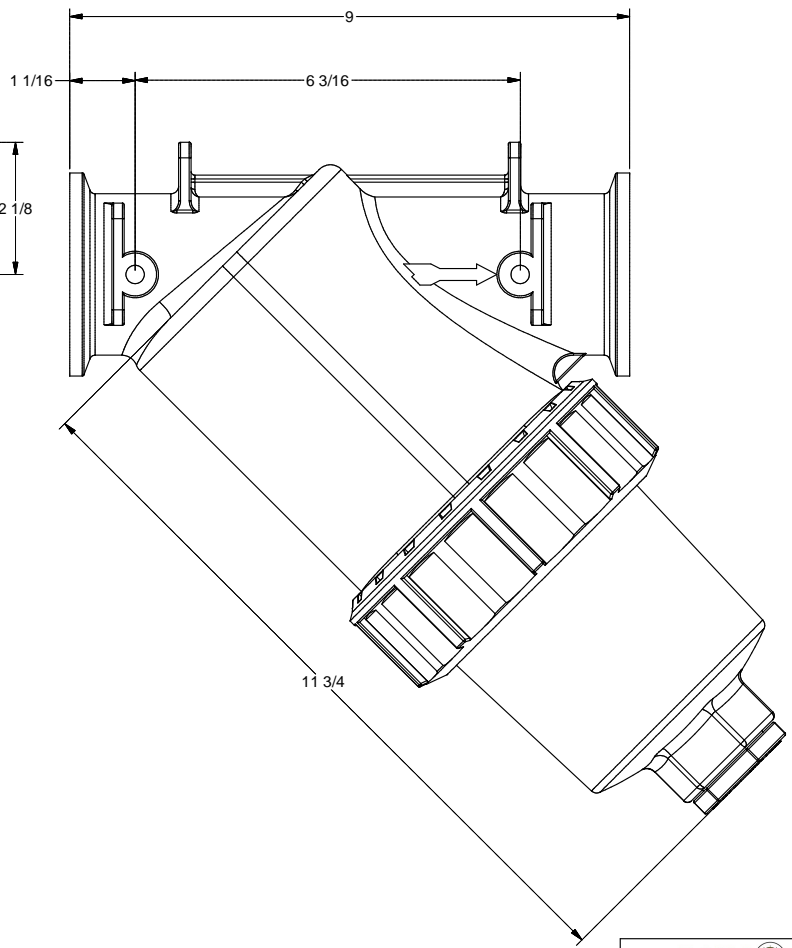
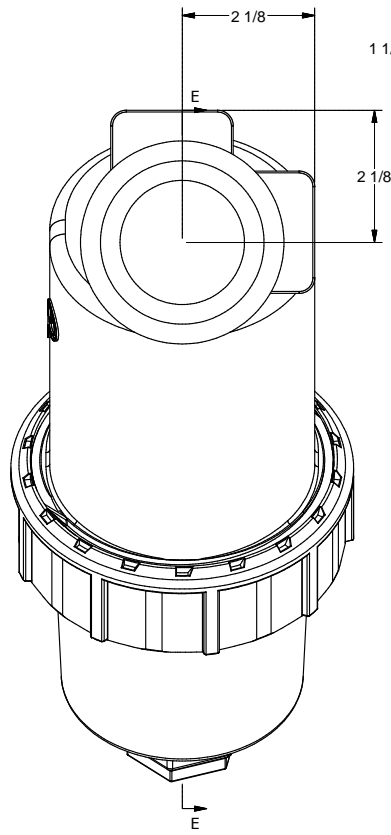
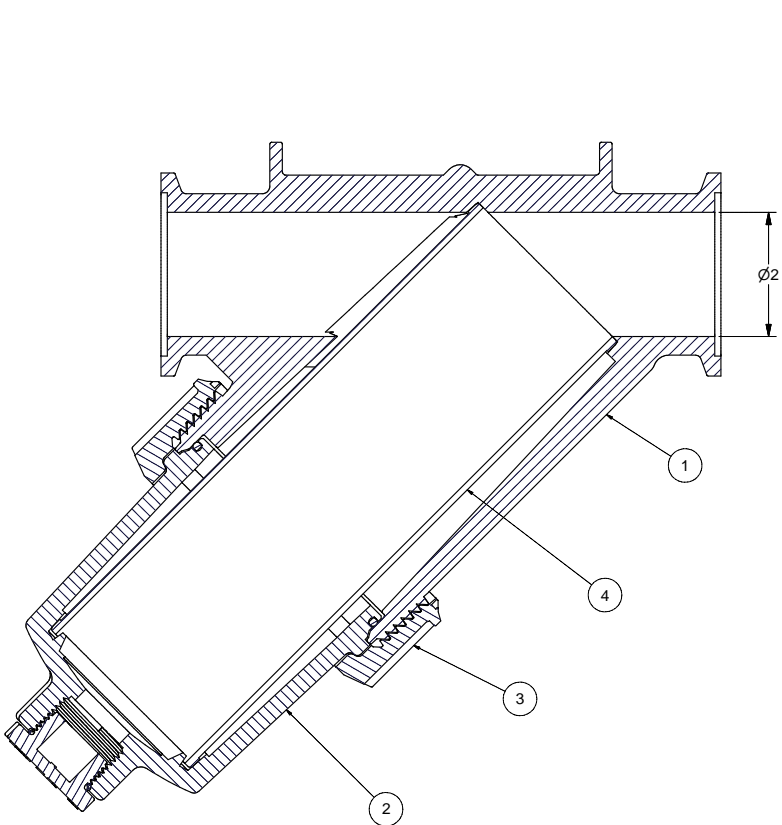


**Part Number : MLS222-50**



Item	Part No.	Description	Qty.
1	LST250SS	50 SS Mesh Screen	1
1	MLS250SS	50 SS Mesh Perforated Screen	1
2	MLS220B1	2" Flanged Y Strainer Body	1
3	MLS220C1	2" Flanged Y Strainer Cap	1
4	MLS220R1	2" Flanged Y Strainer Ring	1
5	LSQ200-R	2" Plug Gasket	1
6	LSQ200-PL	2" Plug	1
7	MLS220G1	2" Body Gasket	1

Parts List			
ITEM	QTY	PART NUMBER	DESCRIPTION
1	1	MLS222B	2" FP Line Strainer Body
2	1	MLS220C1	MLS220 Cap Assembly
3	1	MLS220R1	2" FP LS Retaining Ring
4	1	LST250SS	2" LST SCREEN - 50 MESH



THIS DRAWING AND ALL INFORMATION CONTAINED THEREON ARE THE EXCLUSIVE PROPERTY OF BANJO CORPORATION.  
UNLESS SPECIFICALLY NOTED, THIS DRAWING AND ITEMS SHOWN ON THIS DRAWING ARE SUBJECT TO CHANGE AT ANY TIME.

**BANJO CORPORATION**  
 150 BANJO DRIVE, CRAWFORDSVILLE, IN 47933  
 WEB SITE: WWW.BANJOCORP.COM  
 E-MAIL: BANJOSALES@IDEXCORP.COM

DESCRIPTION  
 2" FP Manifold Line Strainer - 50 Mesh  
 PART NUMBER  
 ML S222-50