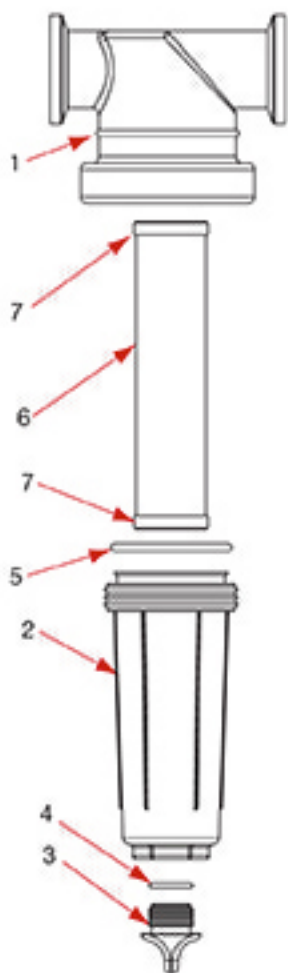
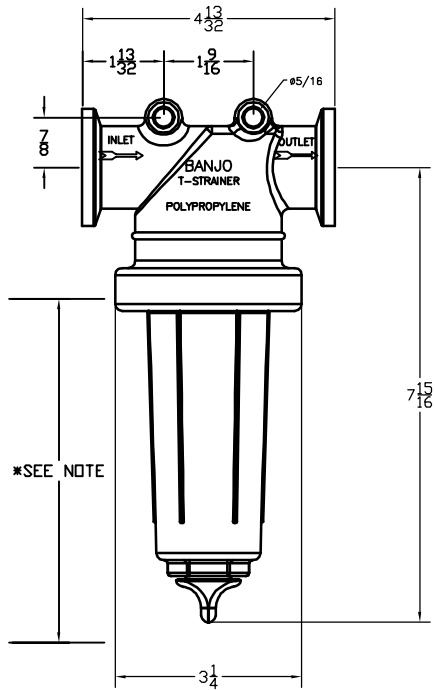


Part Number : MLST100-50

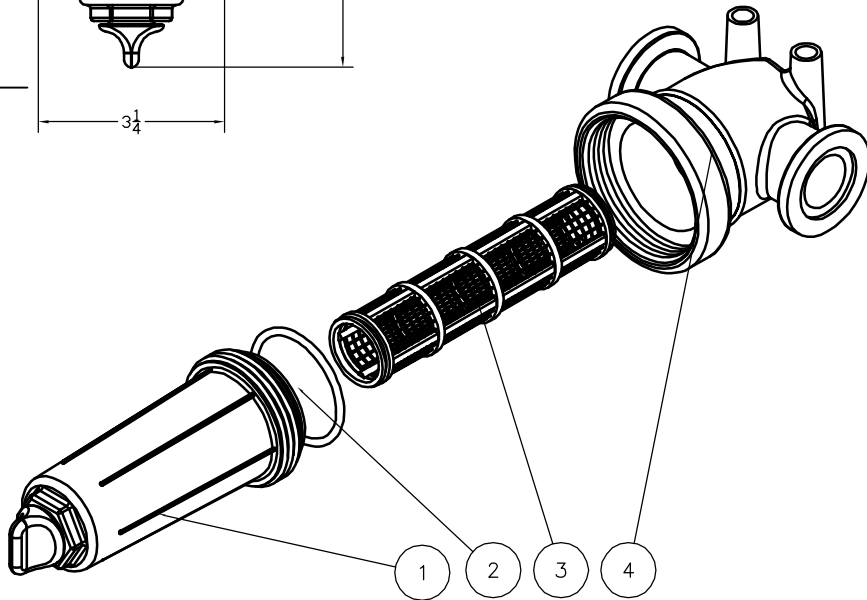


Item	Part No.	Description	Qty.
1	MLST100-H	1" Flanged T Strainer Head	1
2	LST100-B	1" Flanged T Strainer Bowl, Drain Plug & O-Ring	1
3	12777	1" Flanged T Strainer Plug	1
4	UV15163	1" Flanged T Strainer O-Ring	1
5	LST100-G	1" EPDM Gasket	1
5	LST100-GV	1" FKM (viton type) Gasket	1
6	LST150	50 Mesh Screen	1
7	13778	3/4" EPDM O-Ring for Screen	2

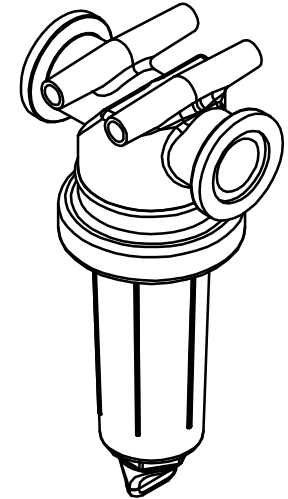
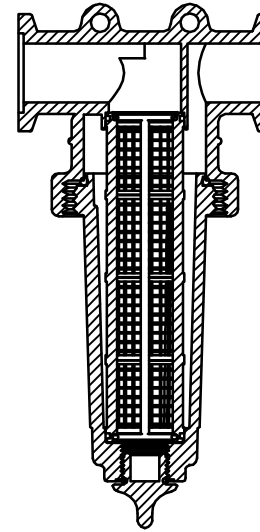


*NOTE:
ADDITIONAL CLEARANCE REQ'D
FOR SCREEN REMOVAL: 5 3/4"

*SEE NOTE



Parts List				
Item	Qty	Part No.	Description	
1	1	LST100B	"T" STRAINER BODY	
2	1	LST100G	BODY O-RING EPDM	
3	1	LST150	T STRAINER SCREEN	
4	1	MLST100H	T Strainer Head	
5	1	LST100-D	DECAL (N/S)	



BANJO
LIQUID HANDLING PRODUCTS

BANJO CORPORATION
150 BANJO DR. ■ CRAVFDORSVILLE, IN 47933

THIS DRAWING AND ALL INFORMATION CONTAINED THEREIN ARE THE EXCLUSIVE PROPERTY OF BANJO CORPORATION. UNLESS SPECIFICALLY NOTED, THIS DRAWING AND ITEMS SHOWN ON THIS DRAWING ARE SUBJECT TO CHANGE AT ANY TIME.	PART NO.	MLST100-50
	TITLE	"T" STRAINER ASSEMBLY W/ #50 MESH SCREEN