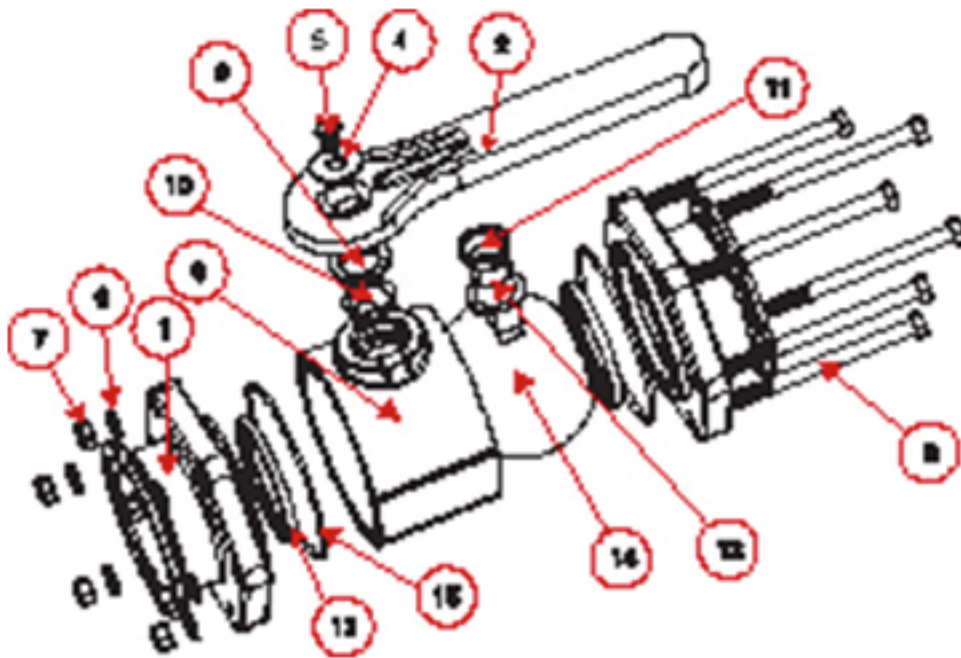
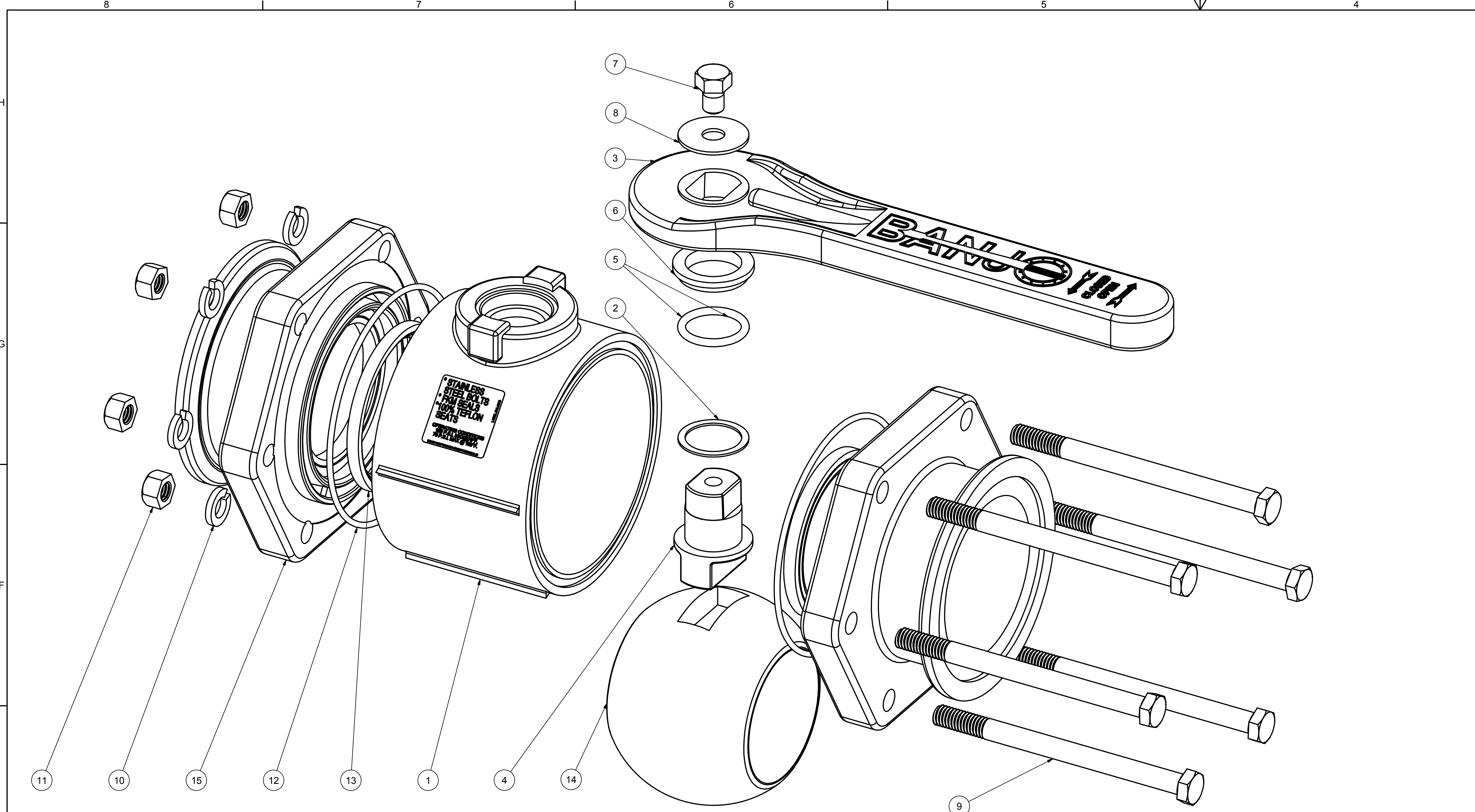


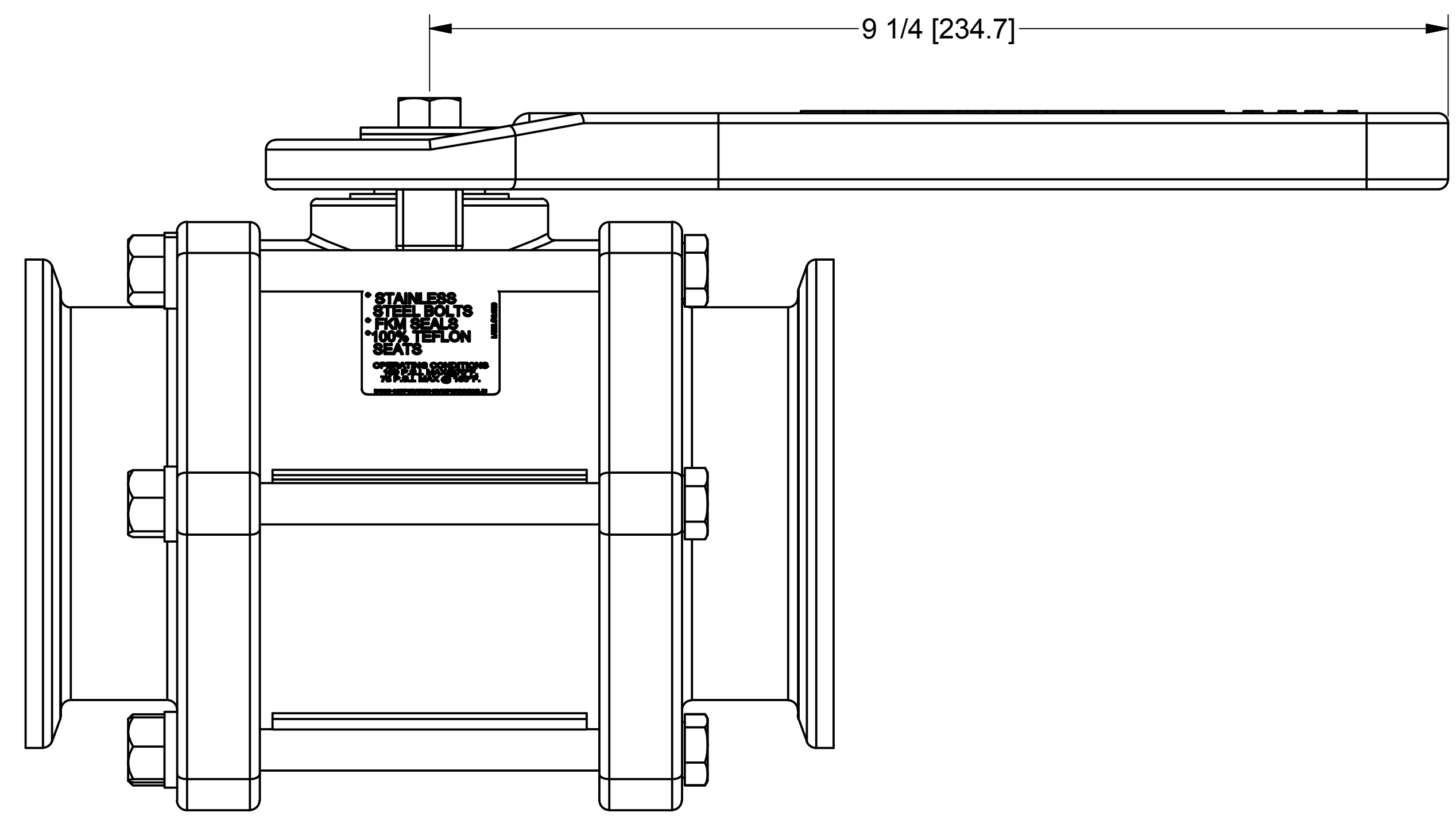
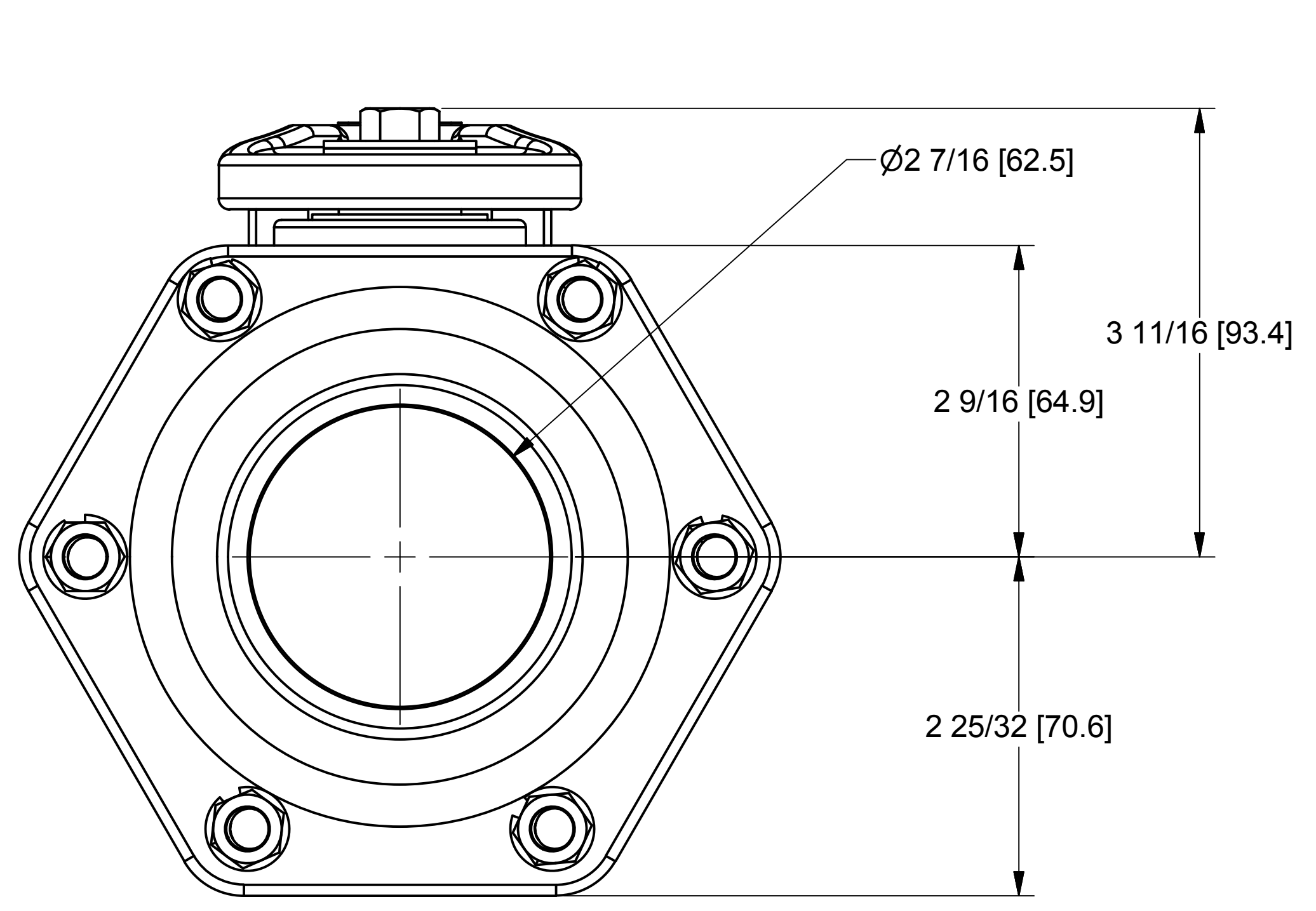
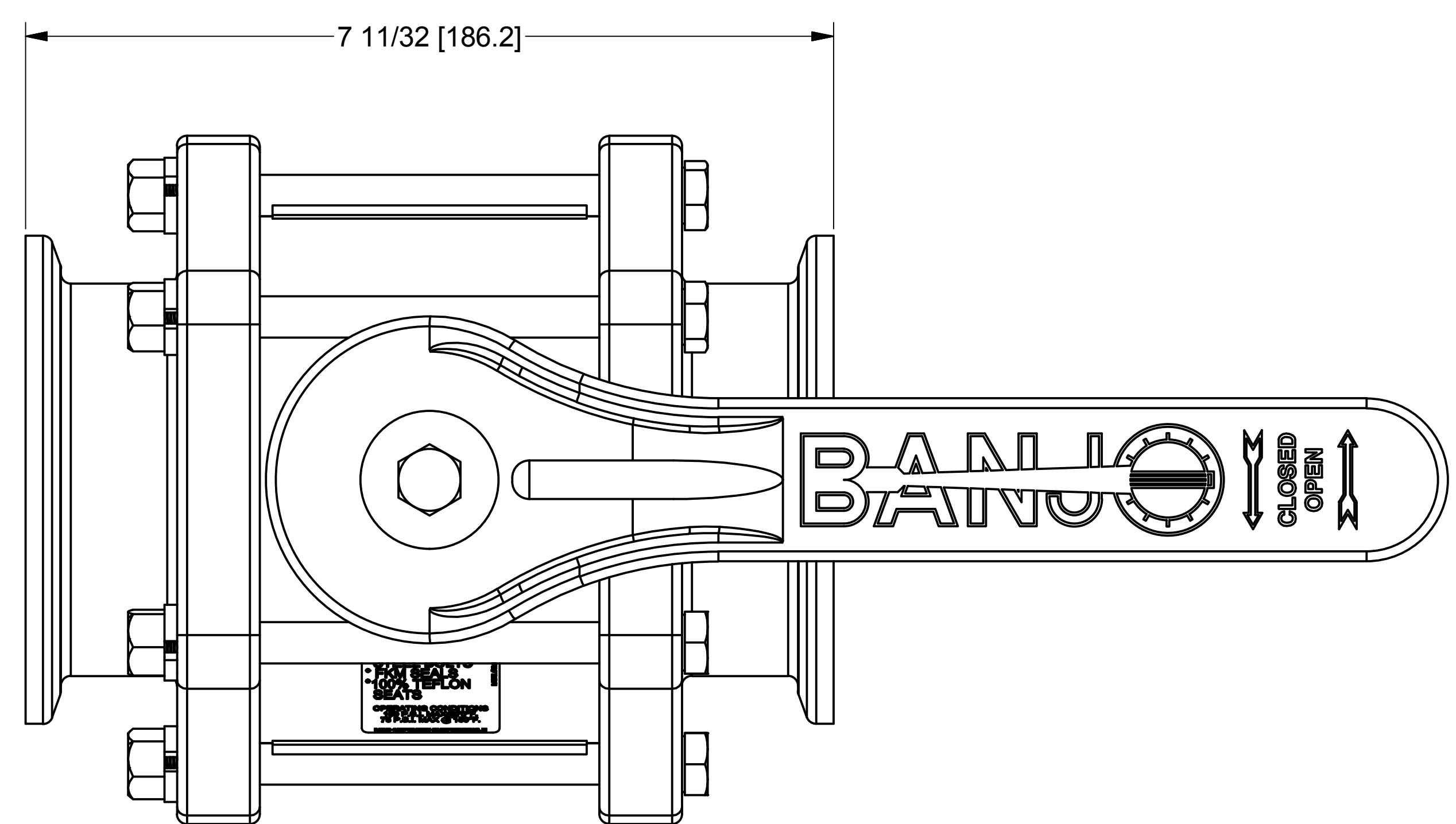
## Part Number : MV300



Item	Part No.	Description	Qty.
14	V30255*	Ball	1
15	V30265*	FKM?(viton type) Body O-Ring	2
1	MV30264	3" Manifold End Plate	2
2	V25153	Handle	1
3	V30254	Body	1
4	V25121	S.S. Handle Washer	1
5	V25020	3/8" x 1/2" S.S. Handle Bolt	6
6	V20018	3/8" S.S. Lock Washer	6
7	V20019	3/8" S.S. Nut	6
8	V30017	3/8" x 5" S.S. Body Bolt	1
9	V25160*	Upper Stem Bushing	1
10	V25163*	FKM?(viton type) Stem O-Ring	1
11	V25060*	Thrust Washer	1
12	V25151B	Stem	1
13	V30258A*	Ball Seat	2



Parts List			
ITEM	QTY	PART NUMBER	DESCRIPTION
1	1	V30254	3" Std Port Valve Body
2	1	V25060	VALVE STEM THRUST BEARING
3	1	V25153	2" FP Handle
4	1	V25151B	2" FP Stem
5	1	V25163	#214 FKM O'RING
6	1	V25160	Stem Bushing
7	1	V25020	3/8" Handle Bolt
8	1	V25121	3/8" Fender Washer
9	6	V30017	3/8" - 16 X 5" SS Body Bolt
10	6	V20018	3/8" LOCKWASHER
11	6	V20019	3/8" HEX NUT
12	2	V30265	#156 FKM O'RING
13	2	V30258A	3" FP Ball Seat
14	1	V30255	3" Ball - Tumbled
15	2	MV30264	3" Standard Port Manifold Endplate



THIS DRAWING AND ALL INFORMATION CONTAINED THEREON ARE THE EXCLUSIVE PROPERTY OF BANJO CORPORATION.  UNLESS SPECIFICALLY NOTED, THIS DRAWING AND ITEMS SHOWN ON THIS DRAWING ARE SUBJECT TO CHANGE AT ANY TIME.	<b>BANJO CORPORATION</b> 150 BANJO DRIVE, CRAWFORDSVILLE, IN 47933 WEB SITE: WWW.BANJOCORP.COM E-MAIL: SALES1@BANJOCORP.COM
	DESCRIPTION <b>3" Standard Port Manifold Valve</b>
	PART NUMBER <b>MV300</b>