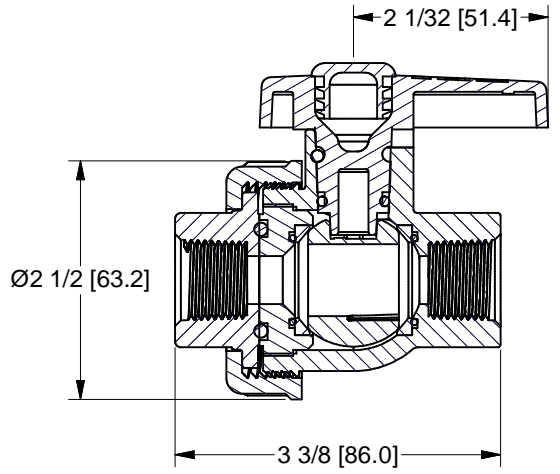
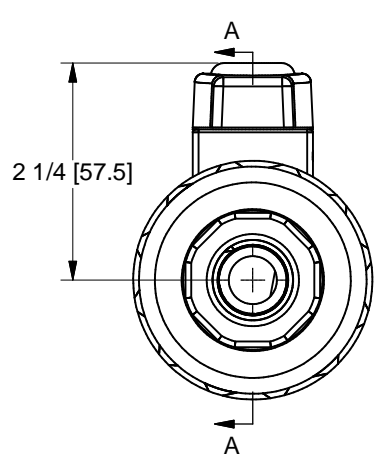
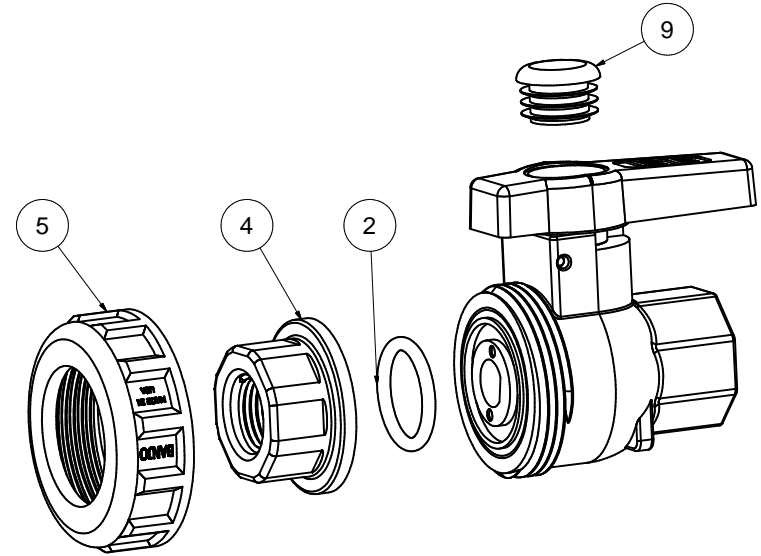
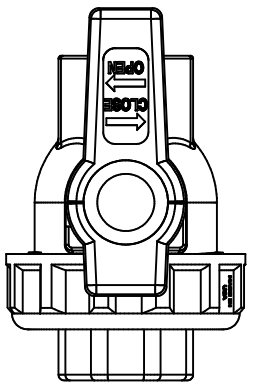


Parts List			
ITEM	QTY	PART NUMBER	DESCRIPTION
2	1	A213	#213 O'RING
4	1	SUV05256	1/2" Union Valve Adapter Plate
5	1	SUV07150	3/4" Union Valve Ring
9	1	V07353C	7/8" CAPLUG



THIS DRAWING AND ALL INFORMATION CONTAINED THEREON ARE THE EXCLUSIVE PROPERTY OF BANJO CORPORATION.

UNLESS SPECIFICALLY NOTED, THIS DRAWING AND ITEMS SHOWN ON THIS DRAWING ARE SUBJECT TO CHANGE AT ANY TIME.



BANJO CORPORATION

150 BANJO DRIVE, CRAWFORDSVILLE, IN 47933
 WEB SITE: WWW.BANJOCORP.COM
 E-MAIL: SALES1@BANJOCORP.COM

DESCRIPTION	1/2" FULL PORT UNION VALVE
PART NUMBER	SUV050FP