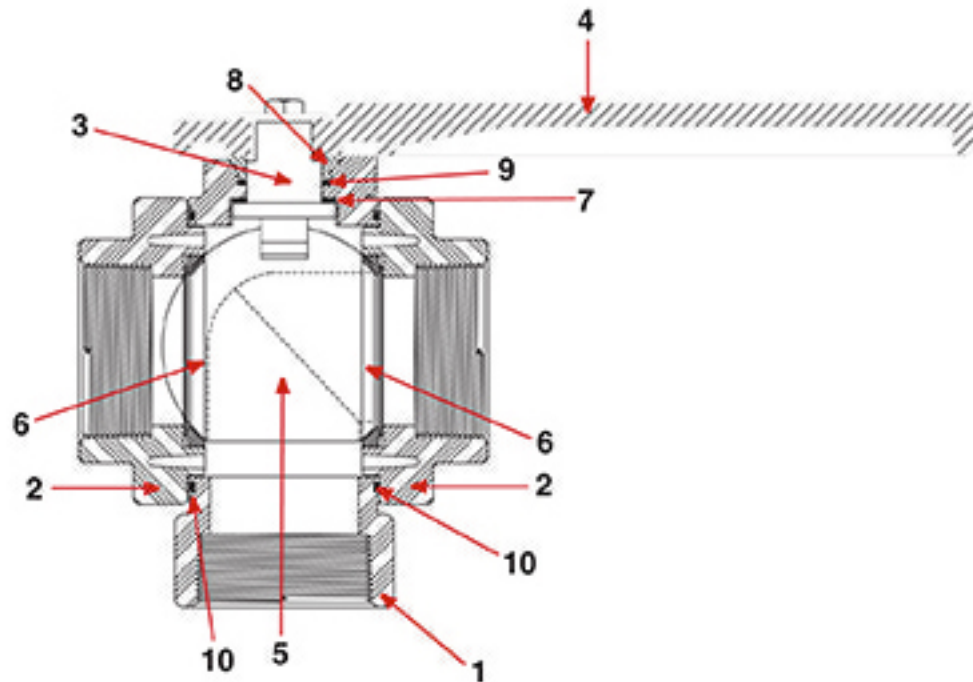
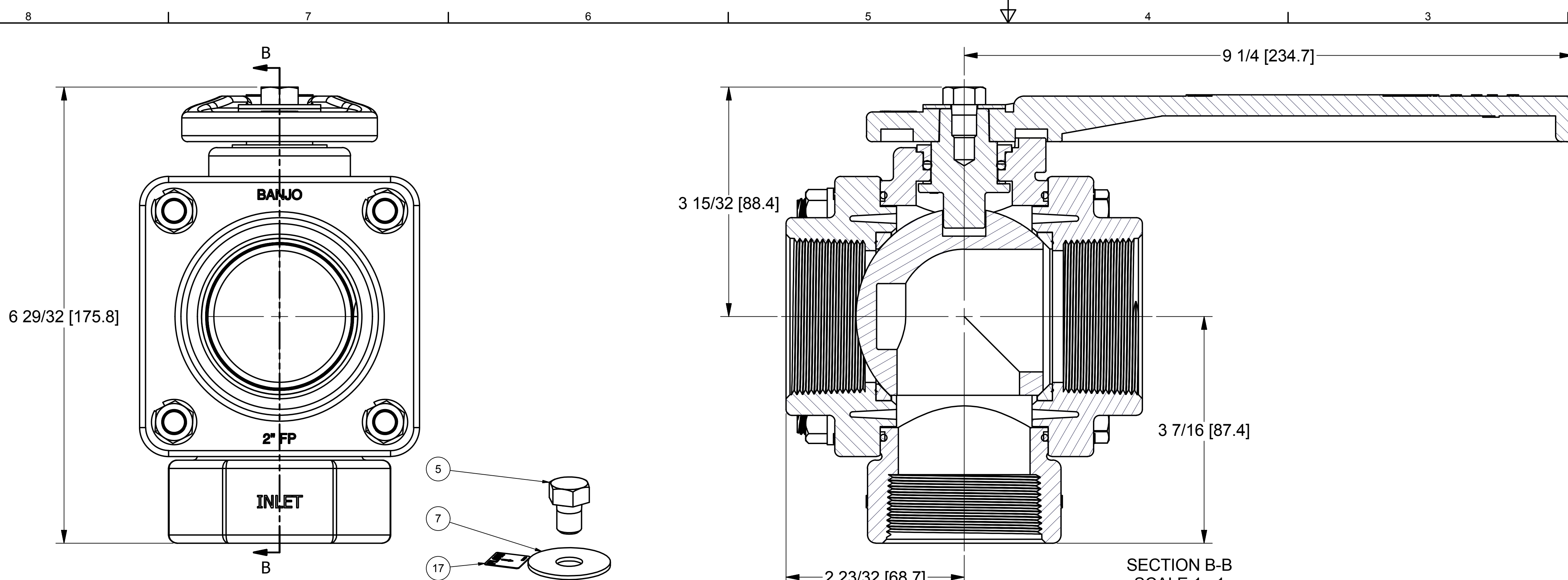


## Part Number : V200BL

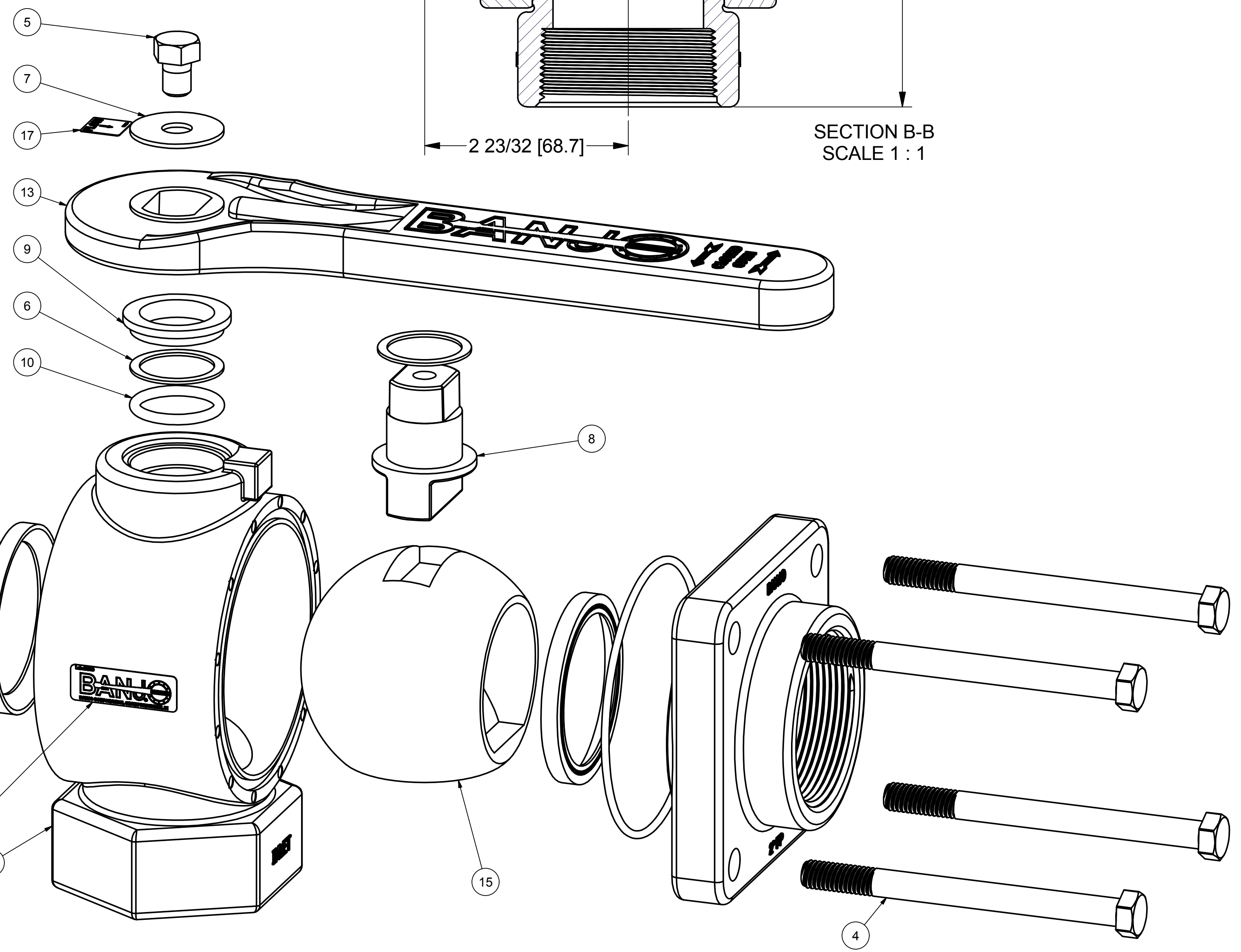


Item	Part No.	Description	Qty.
1	V25354B	2" Valve Body	1
2	V25356	2" End Plate	2
3	V25151B	Stem	1
4	V25353B	Handle-Straight	1
5	V25355B	Ball	1
6	V25258	Seats	2
7	V25060	Thrust Bushing	1
8	V25160	Upper Stem Bushing	1
9	V25163	FKM (viton type) Stem O-Ring	1
10	V25264	FKM (viton type) Body O-Ring	2



Parts List			
ITEM	QTY	PART NUMBER	DESCRIPTION
1	1	050DECAL	Banjo Logo Decal
2	4	V20018	3/8" LOCKWASHER
3	4	V20019	3/8" HEX NUT
4	4	V25017	3/8-16 X 4 1/2" HHCS
5	1	V25020	3/8" Handle Bolt
6	2	V25060	VALVE STEM THRUST BEARING
7	1	V25121	3/8" Fender Washer
8	1	V25151B	2" FP Stem
9	1	V25160	Stem Bushing
10	1	V25163	#214 FKM O-RING
11	2	V25258	3" FP Ball Seat
12	2	V25264	CUSTOM BODY O-RING
13	1	V25353B	2" FP BL Handle
14	1	V25354B	2" BL VALVE BODY
15	1	V25355B	2" FP BL 3-WAY BALL
16	2	V25356	2" FP 3-WAY ENDPLATE
17	1	VL200BL	Bottom Load Flow Label

SECTION B-B  
SCALE 1 : 1



THIS DRAWING AND ALL INFORMATION CONTAINED THEREON ARE THE EXCLUSIVE PROPERTY OF BANJO CORPORATION.  
UNLESS SPECIFICALLY NOTED, THIS DRAWING AND ITEMS SHOWN ON THIS DRAWING ARE SUBJECT TO CHANGE AT ANY TIME.

**BANJO CORPORATION**  
150 BANJO DRIVE, CRAWFORDSVILLE, IN 47933  
WEB SITE: WWW.BANJOCORP.COM  
E-MAIL: SALES1@BANJOCORP.COM

DESCRIPTION  
**2" Bottom Load Valve**

PART NUMBER  
**V200BL**