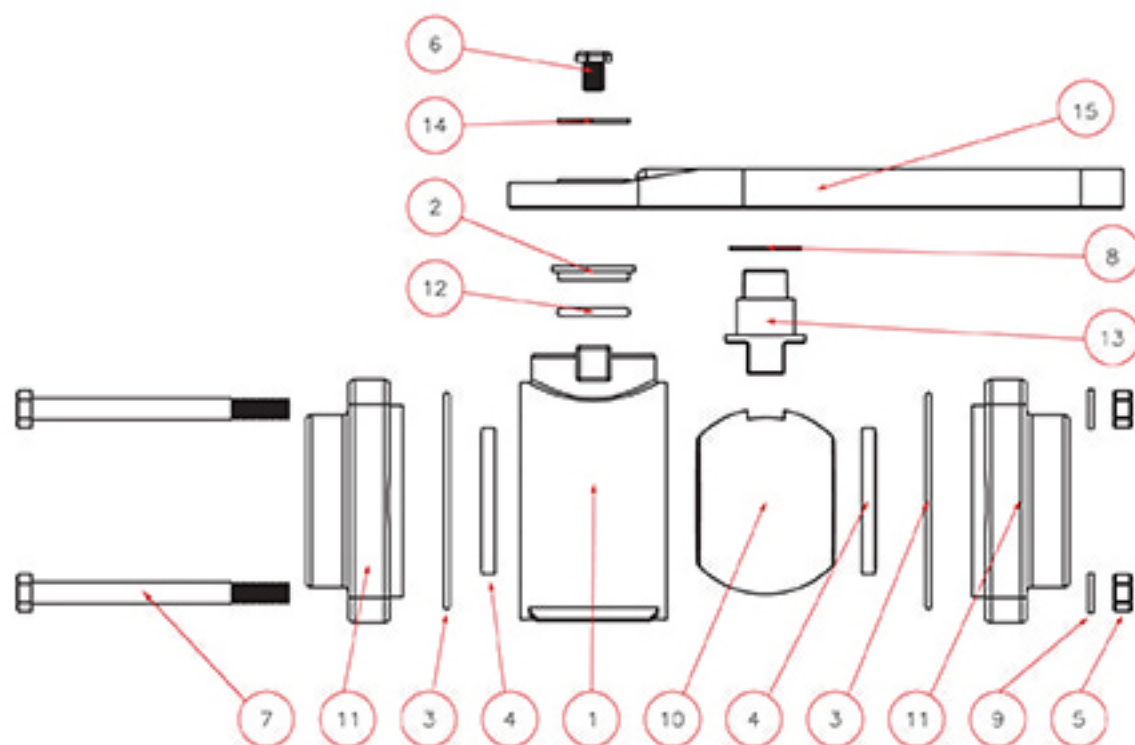
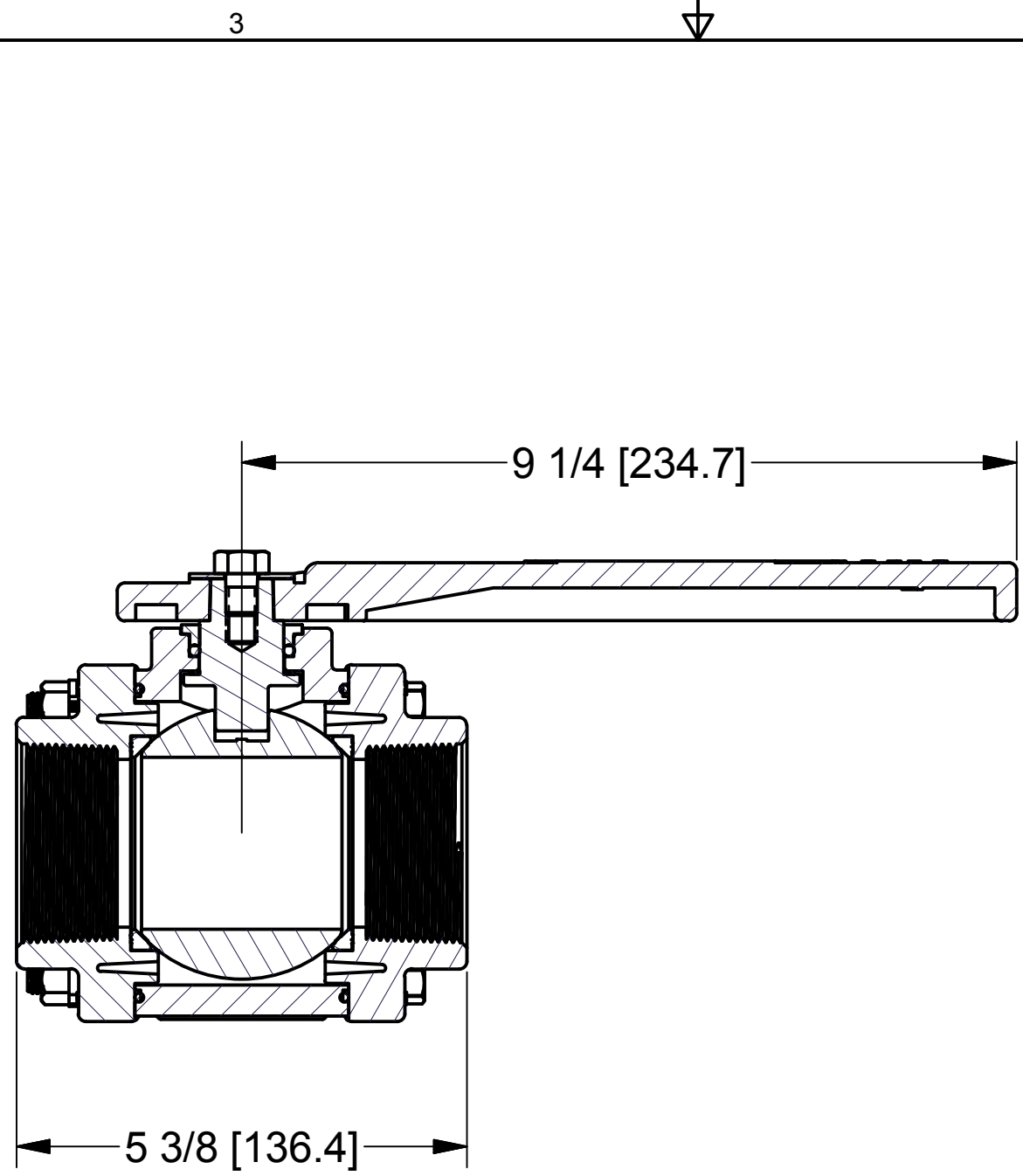
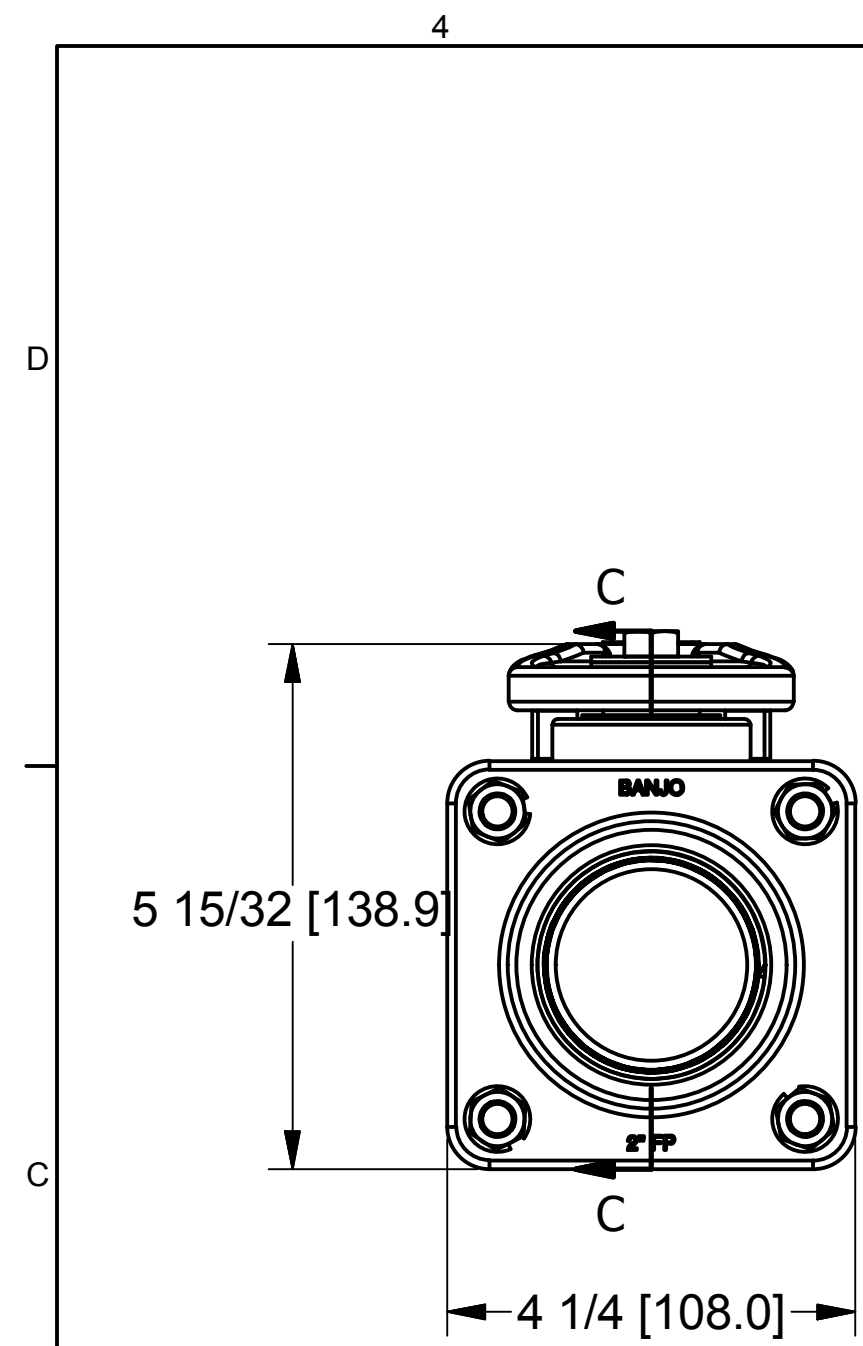


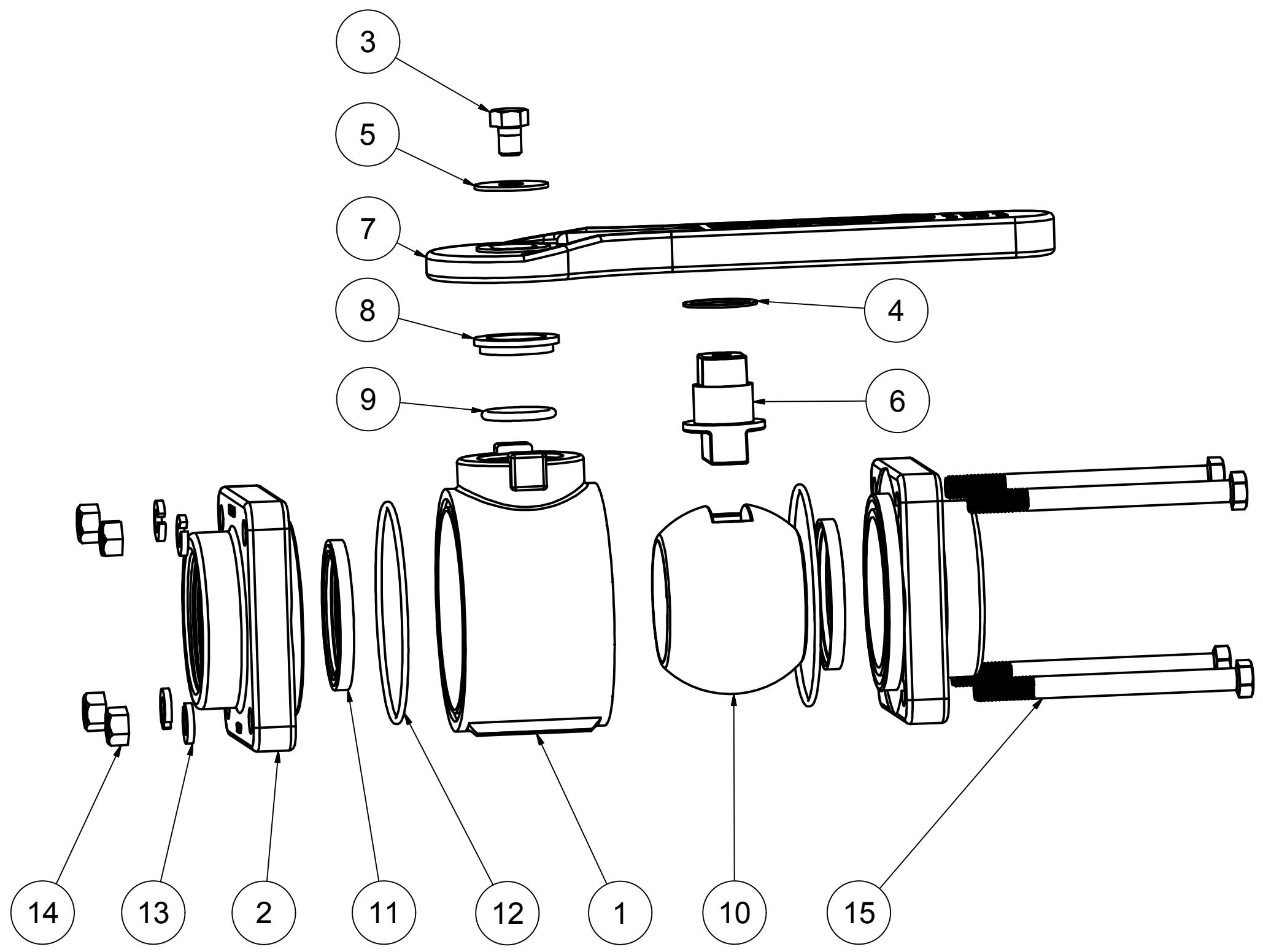
Part Number : V204FP



Item	Part No.	Description	Qty.
1	V25254	2" FP Valve Body	1
2	V25160	Upper Stem Bushing	1
3	V25264	FKM (viton type) Body O-Ring	2
4	V25258A	2" FP Ball Seat	2
5	V20019	3/8" 16 SS Hex Nut	4
6	V25020	3/8" x 1/2" Handle Bolt	1
7	V25017	3/8" x 4 1/2" SS Body Bolt	4
8	V25060	Thrust Bushing	1
9	V20018	3/8" SS Lock Washer	4
10	V25255A	2" Ball	1
11	V25456	2" Full Port End Plate	2
12	V25163	FKM (viton type) Stem O-Ring	1
13	V25151B	Stem	1
14	V25121	Handle Washer	1
15	V25153	Handle	1



Parts List			
ITEM	QTY	PART NUMBER	DESCRIPTION
1	1	V25254	2" FP VALVE BODY
2	2	V25456	2" FP ENDPLATE
3	1	V25020	3/8" Handle Bolt
4	1	V25060	VALVE STEM THRUST BEARING
5	1	V25121	3/8" Fender Washer
6	1	V25151B	2" FP Stem
7	1	V25153	2" FP Handle
8	1	V25160	Stem Bushing
9	1	V25163	#214 FKM O'RING
10	1	V25255A	2" FP Valve Ball
11	2	V25258A	3" FP Ball Seat
12	2	V25264	CUSTOM BODY O-RING
13	4	V20018	3/8" LOCKWASHER
14	4	V20019	3/8" HEX NUT
15	4	V25017	3/8-16 X 4 1/2" HHCS



THIS DRAWING AND ALL INFORMATION CONTAINED THEREON ARE THE EXCLUSIVE PROPERTY OF BANJO CORPORATION.

UNLESS SPECIFICALLY NOTED, THIS DRAWING AND ITEMS SHOWN ON THIS DRAWING ARE SUBJECT TO CHANGE AT ANY TIME.

BANJO CORPORATION 150 BANJO DRIVE, CRAWFORDSVILLE, IN 47933 WEB SITE: WWW.BANJOCORP.COM E-MAIL: BANJOSALES@IDEXCORP.COM	
DESCRIPTION	2" FP BALL VALVE
PART NUMBER	V204FP