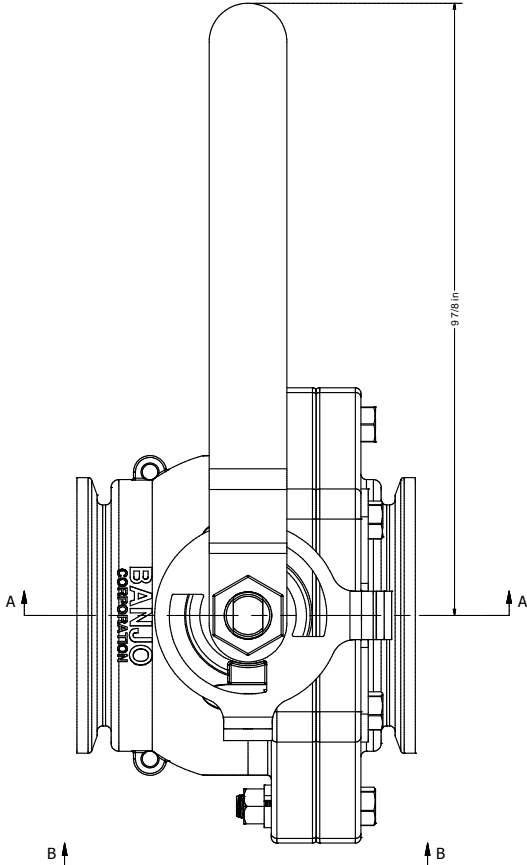
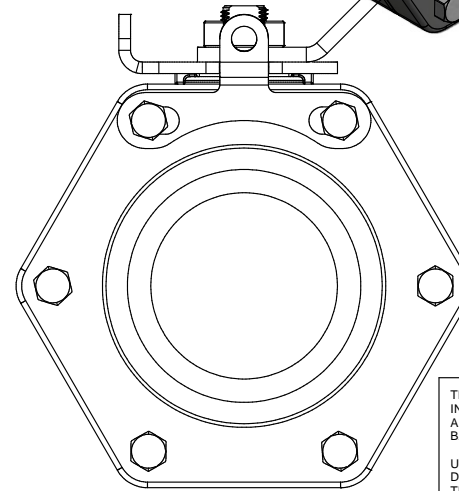
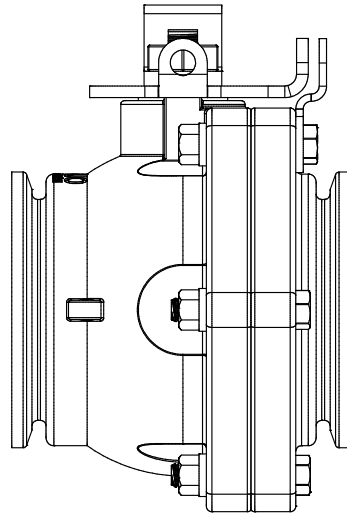
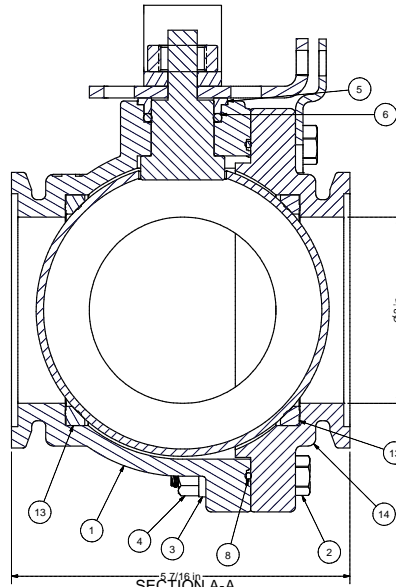


Parts List			
ITEM	QTY	PART NUMBER	DESCRIPTION
1	1	MVS35254	3" FP Stubby Manifold Body
2	6	V20010SS	3/8-16 X 2" HHCS
3	6	V20018	3/8" LOCKWASHER
4	6	V20019	3/8" HEX NUT
5	1	V25160	Stem Bushing
6	1	V25163	#214 FKM O'RING
7	1	V35255ASS	3" FP SS Hollow Bal
8	1	V35265	3" FP body O-ring FKM
9	1	VS30101SS	Handle Stop Plate
10	1	VS30102SS	3" Std Port Stubby Valve handle Lock
11	1	VS30151SS	3" SS Stubby Valve Stem
12	1	VS30153SS	3" Valve handle, SS
13	2	V35259	3" FP Stubby Valve Seat
14	1	V35278	3" FP Stubby Manifold Endplate
15	1	VSS30020	3/4"-16 SS Jam Nut



THIS DRAWING AND ALL INFORMATION CONTAINED THEREON ARE THE EXCLUSIVE PROPERTY OF BANJO CORPORATION.

UNLESS SPECIFICALLY NOTED, THIS DRAWING AND ITEMS SHOWN ON THIS DRAWING ARE SUBJECT TO CHANGE AT ANY TIME.

BANJO CORPORATION
 150 BANJO DRIVE, CRAWFORDSVILLE, IN 47933
 WEB SITE: WWW.BANJOCORP.COM
 E-MAIL: SALES1@BANJOCORP.COM

DESCRIPTION
3" FP Stubby Manifold Flange Valve SS Ball, Stem, Handle

PART NUMBER
MVS300HSFP