



# KAPPA-75 Medium Pressure Diaphragm Pump

KAPPA-75 medium pressure diaphragm pumps are excellent for various horticultural, agricultural, lawn care, nursery and turf spraying applications. They are also effectively utilized in other applications such as hydrostatic testing, fire fighting and cleaning.

KAPPA-75 pumps are constructed of anodized aluminum with anodized aluminum and stainless steel liquid handling parts. Built-in pulsation dampener, control valve and pressure gauge are standard on all models.

Several drive options are available, including:

Part Number	Description
4155.00	Hydraulic Motor Mounting Kit.
5033.A4	8 - 13 HP Gear Reduction
7751.A3	1" Solid Keyed Shaft and Bolts
7753.A6*	1-3/8" 6-Spline Male Shaft & Bolts



\* For ALL PTO drive applications, Safety Shield #1219.02 (ordered separately) MUST be used.

For industrial uses and spraying applications not listed, please consult UDOR U.S.A.

### SPECIFICATIONS

Maximum Flow .....	20 GPM
Maximum Pressure .....	560 PSI
Maximum Pump Speed .....	540 RPM
Maximum Temperature .....	140°F
Hose Barb Ports	
Inlet.....	1-1/4"
Outlet (Ball Valve Controlled).....	1/2" (2)
Bypass Hose Barb .....	3/4"
Dimensions .....	L-12" x W-14" x H-11"
Weight .....	46 lbs.
Diaphragm Material	
Standard .....	DESMOPAN
Optional.....	BUNA-N

NOTE - Protect pumps from freezing. If freezing conditions exist, flush pump and system with a 50/50 mixture of anti-freeze and water.

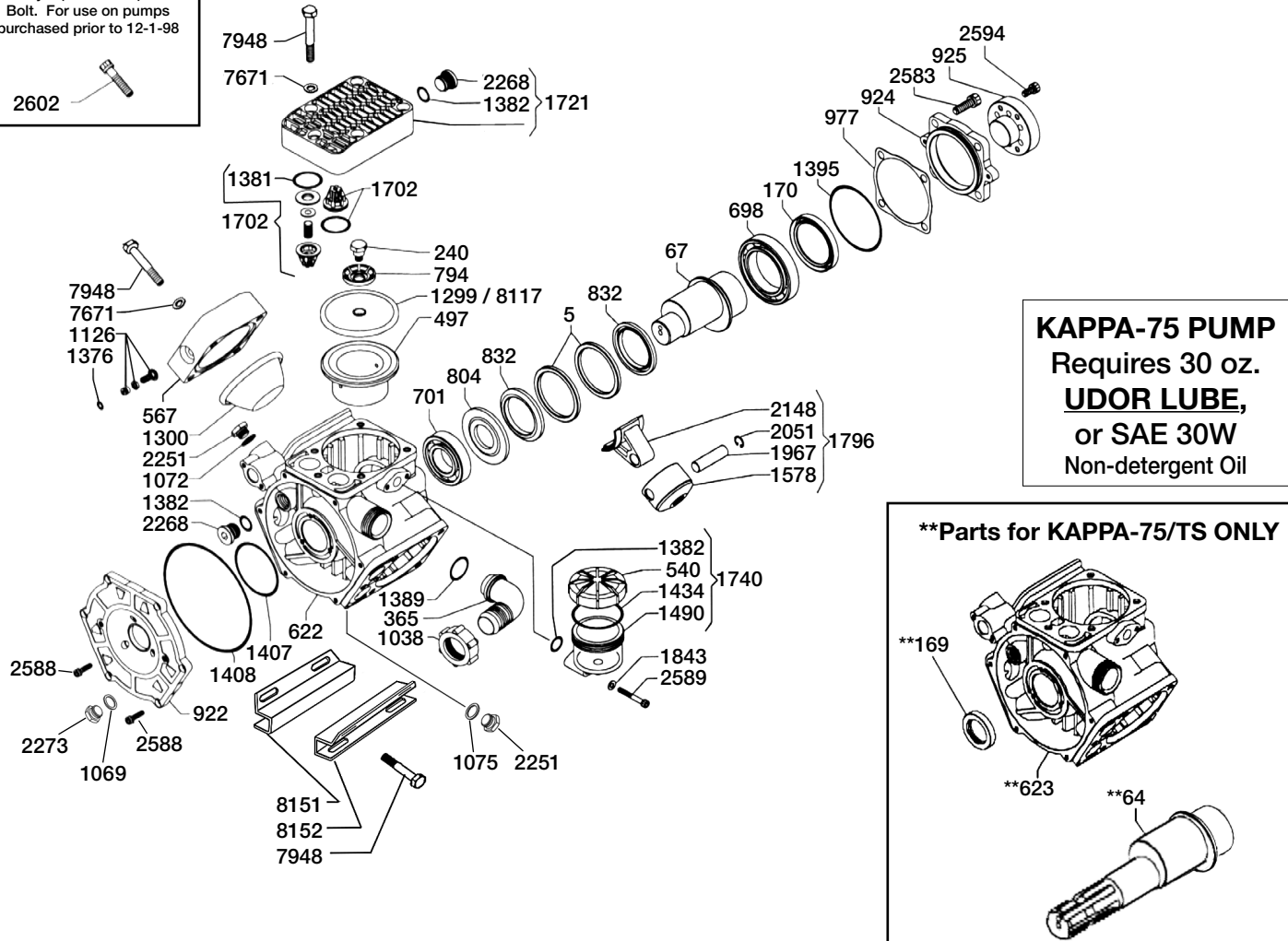
### UDOR U.S.A., INC.

500 Apollo Drive  
Lino Lakes, MN 55014  
TEL. (651) 785-0666  
FAX. (800) 732-2670  
www.udorusa.com

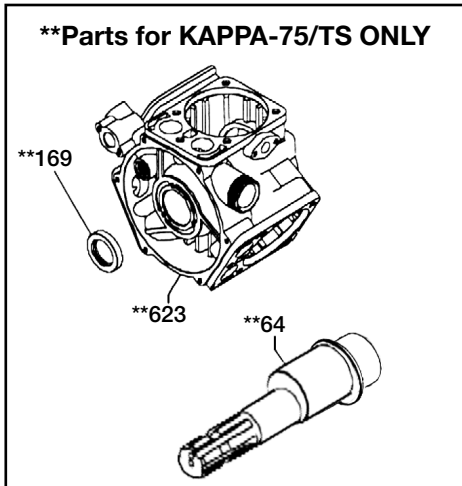
# KAPPA-75 - Exploded View Diagram and Parts List

Old Style (Allen Head) Head Bolt. For use on pumps purchased prior to 12-1-98

2602



**KAPPA-75 PUMP**  
Requires 30 oz.  
**UDOR LUBE,**  
or SAE 30W  
Non-detergent Oil



REF#	PART#	DESCRIPTION	QTY	REF#	PART#	DESCRIPTION	QTY
5	0001.07	Retainer Ring	2	1382	1101.29	O-Ring	8
**64	0002.53	Crankshaft (Thrushaft)	1	1389	1101.41	O-Ring	1
67	0002.56	Crankshaft	1	1395	1101.48	O-Ring	1
**169	0007.26	Seal (Thrushaft)	1	1407	1101.62	O-Ring	1
170	0007.27	Seal	1	1408	1101.63	O-Ring	1
240	0102.04	Diaphragm Bolt	3	1434	1101.D1	O-Ring	1
365	0202.52	Suction Elbow	1	1490	1203.27	Oil Reservoir	1
497	0206.24	Piston Sleeve	3	1578	1205.18	Piston	3
540	0208.98	Oil Reservoir Cap	1	1702	6006.01	Valve Assembly	6
567	0208.34	Accumulator Head	1	1721	6017.06	Head Assembly	3
622	0209.29	Pump Body (Standard)	1	1740	6033.01	Oil Reservoir	1
**623	0209.30	Pump Body (Thrushaft)	1	1796	6015.22	Piston/Rod Assembly	3
698	0214.01	Ball Bearing	1	1843	1403.07	Washer	2
701	0214.05	Ball Bearing	1	1967	1502.07	Connecting Rod Pin	3
794	0301.14	Retainer Washer	3	2051	1506.15	Snap Ring	6
804	0301.32	Washer	2	2148	1519.15	Connecting Rod	3
832	0302.51	Washer	2	2251	1603.02	Plug	2
922	0501.68	Manifold Cover	1	2268	1603.32	Head Plug	7
924	0501.69	Flange	1	2273	1603.67	Drain Plug	1
925	0501.70	Flange	1	2580	1805.01	Bolt	4
977	0602.05	Gasket	1	2588	1805.21	Bolt	9
1038	0604.18	Suction Nut	1	2594	1805.24	Bolt	6
1069	0604.49	Gasket	1	2589	1805.31	Bolt	2
1072	0605.09	Aluminum Gasket	1	2602	1805.25	Head Bolt (Allen Head - Old Style)	19
1075	0605.43	Gasket	1	7671	1403.09	Washer (Use with Ref #7948 Only)	15
1126	0608.16	Air Valve Assembly	1	7948	1804.45	Head Bolt (Hex Head - New Style)	19
1299	0903.13	Piston Diaphragm (Buna-N) Optional	3	*8117	0903.38	DESMOPAN Piston Diaphragm	3
*1300	0903.14	Accumulator Diaphragm	1	8151	1202.63	Mounting Rail - Right Side	1
1376	1101.16	O-Ring	1	8152	1202.64	Mounting Rail - Left Side	1
*1381	1101.27	O-Ring	6				

\* Parts Included in Diaphragm Repair Kit - #8700.10. (Also available in Buna-N - #8700.15.)

\*\* Parts for KAPPA-75/TS Only.