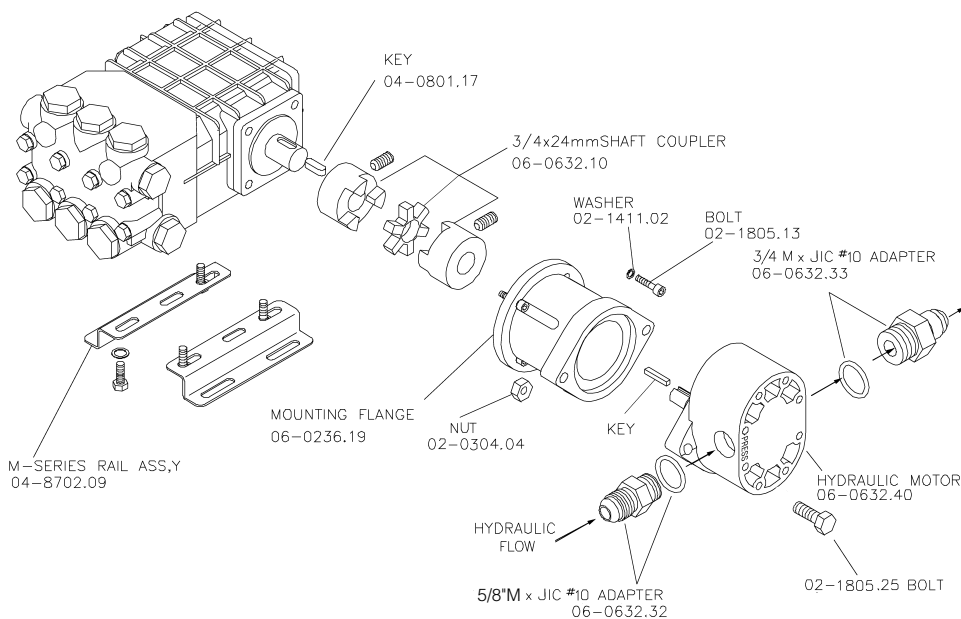


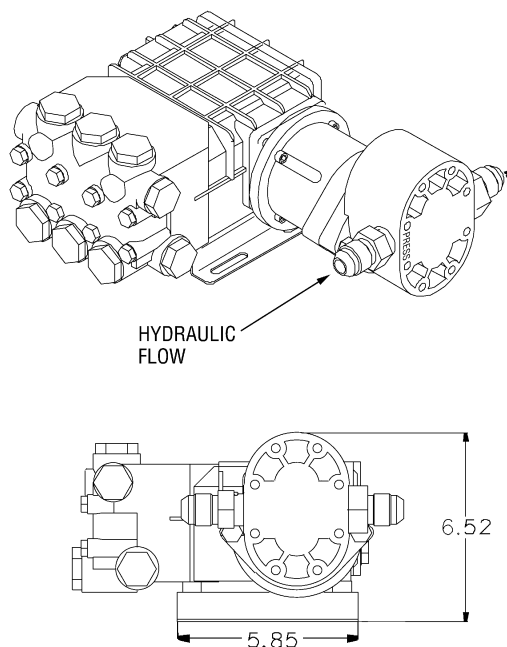
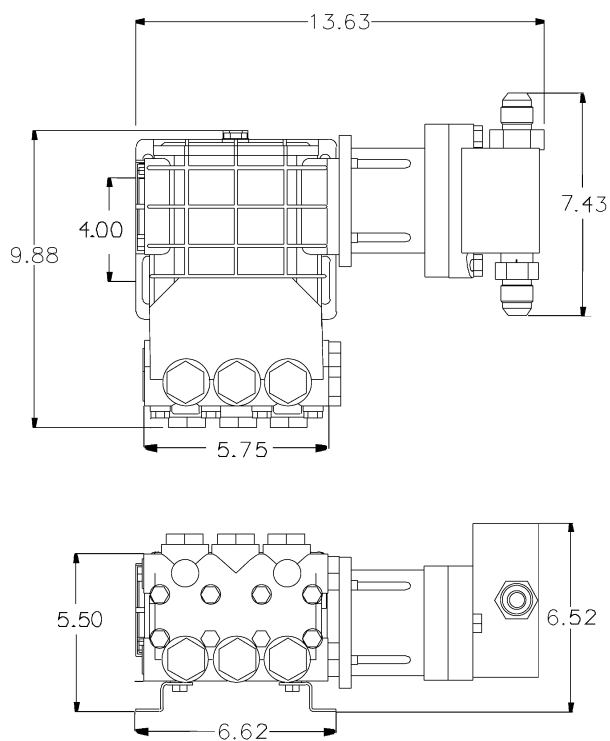


M-SERIES HYDRAULIC DRIVE PLUNGER PUMPS

MD 4.0/30-SH
MD 5.0/25-SH



MD 4.0/30-SH
MD 5.0/25-SH



DRIVE COMPONENTS

Revised 10-1-2005