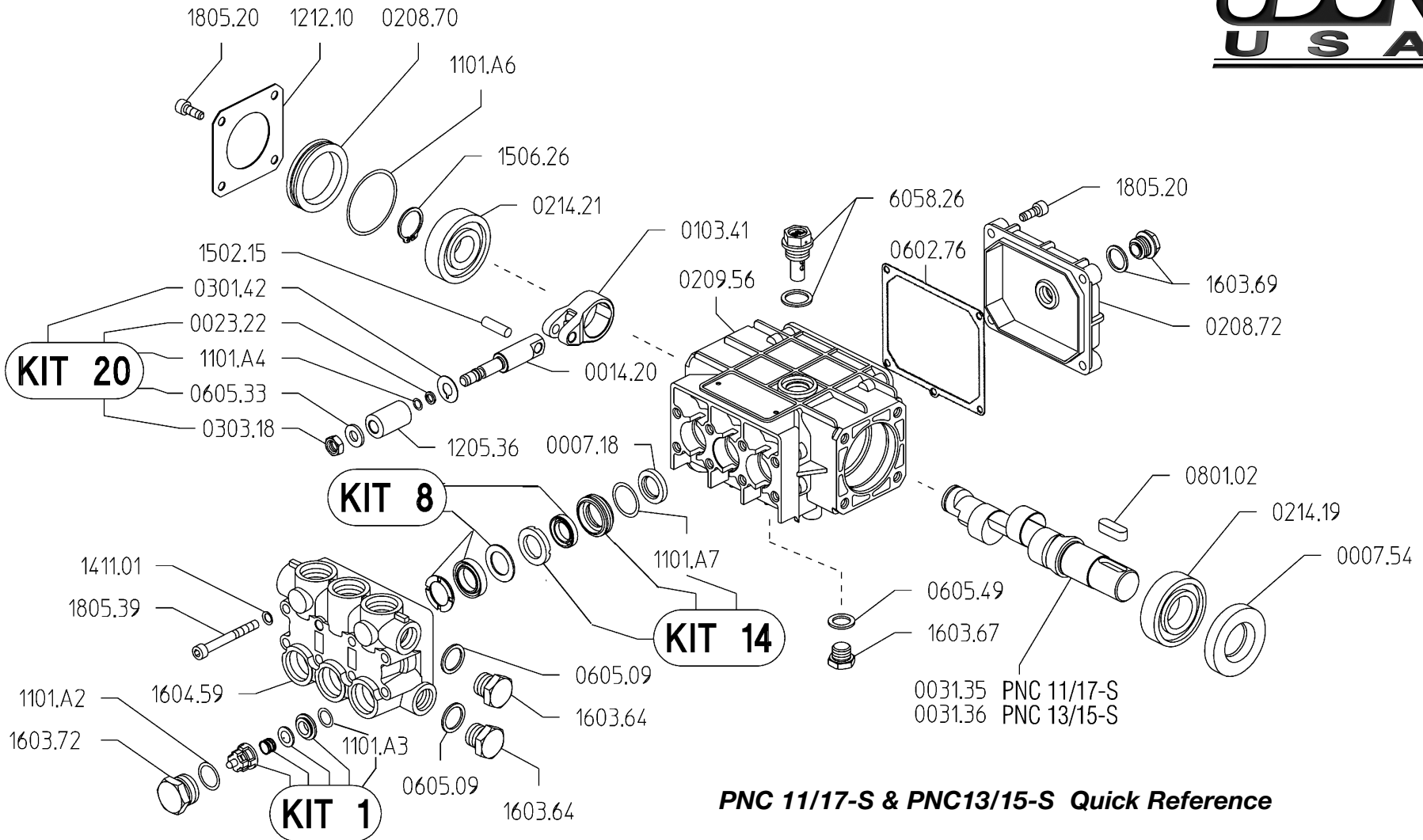


Revised 10-1-2005

# PNC 11/17-S & PNC 13/15-S



## PNC 11/17-S & PNC13/15-S Quick Reference

Max. Flow	PNC 11/17-S.....3.0 GPM	Valve Kit .....	04-KIT UD-1
	PNC 13/15-S.....3.5 GPM	Seal Kit.....	04-KIT UD-8
Maximum Pressure .....	2000 PSI	Brass Kit .....	04-KIT UD-14
Rated Pump Speed .....	1450 RPM	Plunger Bolt Kit .....	04-KIT UD-20
Oil Capacity.....	12 oz. UDOR LUBE	Plunger Part # .....	04-1205.36
	or SAE 30W Non-Detergent Oil	Plunger Diameter.....	18 MM

**PNC 11/17-S**  
**PNC 13/15-S**