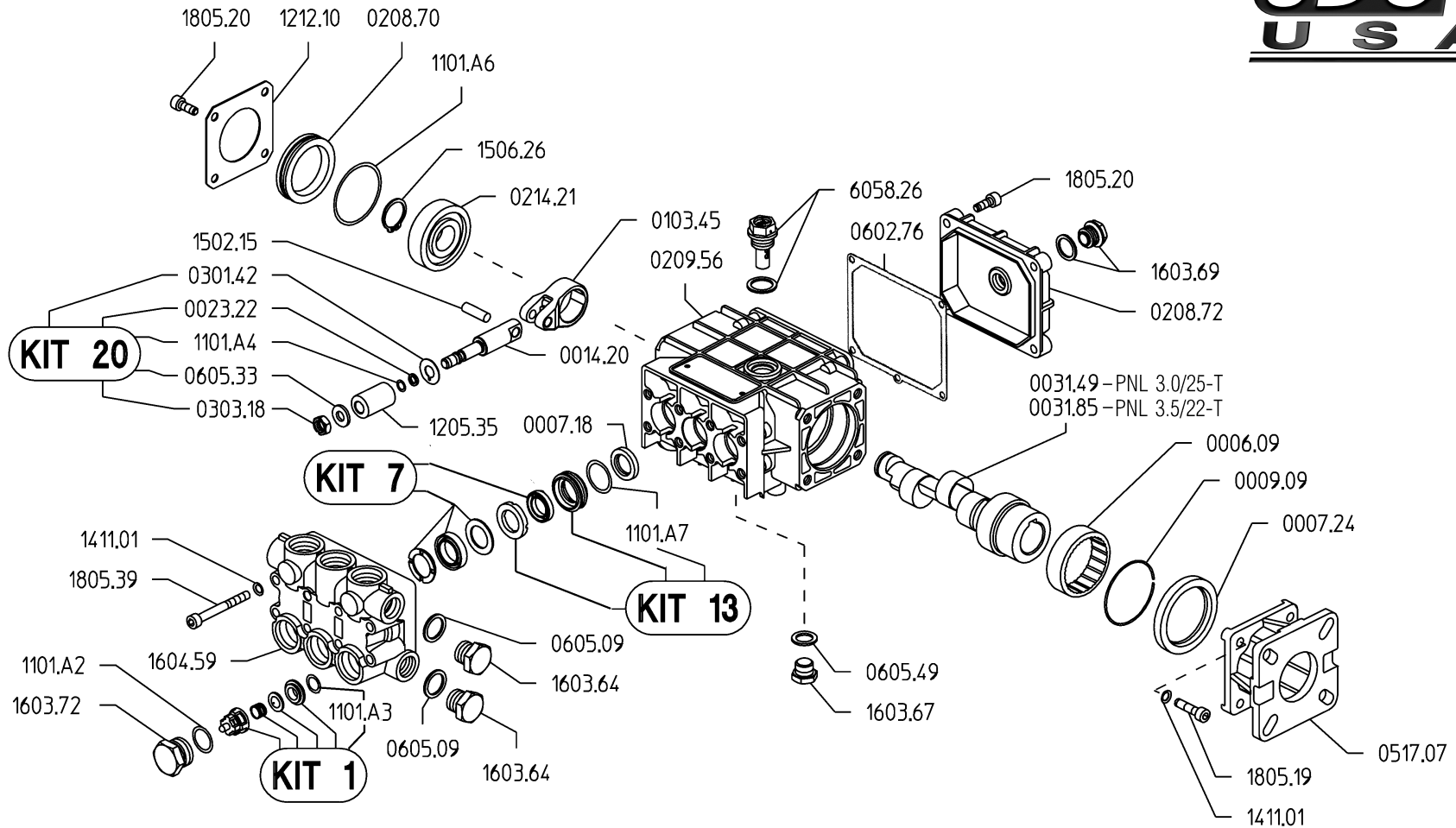


PNL 3.0/25-T & PNL 3.5/22-T



PNL 3.0/25-T & PNL 3.5/22-T Quick Reference

Max. Flow	PNL 3.0/25-T ..3.0 GPM	Valve Kit	04-KIT UD-1
	PNL 3.5/22-T ..3.5 GPM	Seal Kit.....	04-KIT UD-7
Max. Pressure	PNL 3.0/25-T ..2500 PSI	Brass Kit	04-KIT UD-13
	PNL 3.5/22-T ..2200 PSI	Plunger Bolt Kit	04-KIT UD-20
Rated Pump Speed	3400 RPM	Plunger Part #	04-1205.35
Oil Capacity	12 oz. UDOR LUBE	Plunger Diameter	15 MM
	or SAE 30W Non-Detergent Oil		

PNL 3.0/25-T
PNL 3.5/22-T