



## 2930 SERIES WITH STRAIGHT SHANK

### DISC-CHISEL COULTER BRACKET KIT W/STRAIGHT SHANK

2565-185\_REV\_A 05/2015

#### INSTALLATION AND OPERATING INSTRUCTIONS

Before assembling the brackets, mark your bar for the spacing of the coulters. Select part numbers 3010-301, 2525-451, 2520-452, 2520-394 and mount them loose on the bar as shown in the figure above. If installing a chisel or coil shank, slide it under the tool bar and bolt to bottom shank bracket with 5/8"-11 x 3-1/4" bolt (2502-385) and 5/8" nuts and washers as shown. Align the brackets on the marks on the tool bar and tighten. (Be sure brackets remain square with the bar to assure shank will be straight when installing.)

Install u-bolts (3010-304) into shank brackets using the 1/2" flat washer, lock washers, and nuts. (Leave the u-bolts loose to allow straight shank to go through the u-bolts.) Drive roll pin (2530-208) into one end of the straight shank (3010-303) until it is centered in the shank. Drop the shank down through the top of the u-bolts until the roll pin is resting on the top u-bolt. Set the shank at the proper depth and tighten the 1/2" nuts on the u-bolts. An additional roll pin is supplied for the bottom hole in the shank AFTER the coulter is installed.

*PERIODICALLY CHECK ALL NUTS TO BE SURE THEY ARE TIGHT.*

#### **YETTER MANUFACTURING CO.**

*FOUNDED 1930*

Colchester, IL 62326-0358

Toll free: 800/447-5777

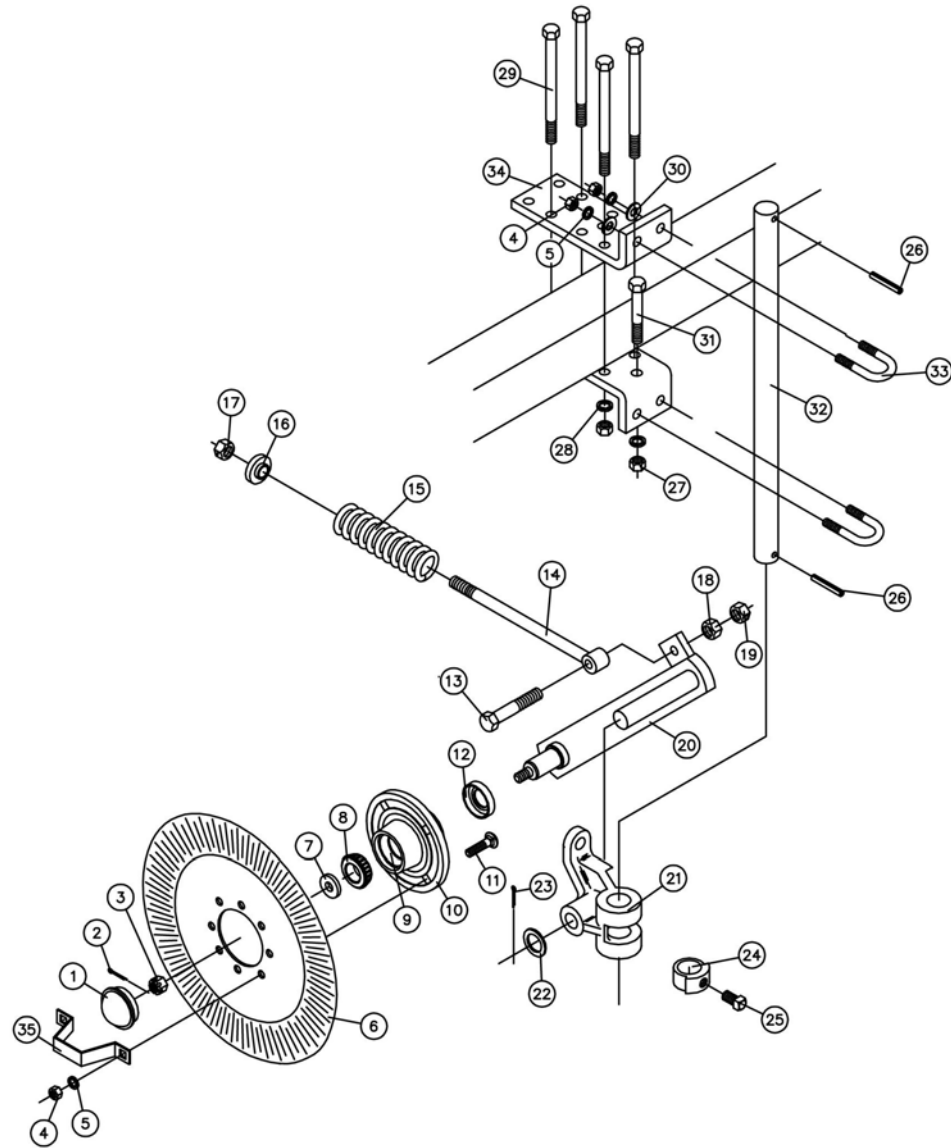
309/776-3222 (Fax)

Website: [www.yetterco.com](http://www.yetterco.com)

E-mail: [info@yetterco.com](mailto:info@yetterco.com)

# YETTER

# 2930 SERIES WITH STRAIGHT SHANK



2930-020/2931-020  
20" SPRING CUSHION DISC CHISEL COULTER

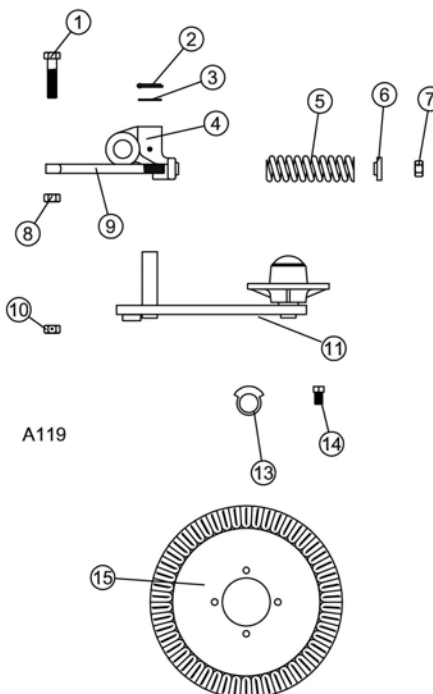
Key	Qty	Part No.	Description	Key	Qty	Part No.	Description
1	1	2570-375	HUB CAP	19	1	2520-511	3/4-16 LOCK HEX NUT ZP
2	1	2531-102	1/8 X 1 1/4 COTTER PIN BLACK	20	1	2910-201	COULTER ARM W.A.
3	1	2520-469	5/8-1/ SLOTTED HEX NUT, BLACK	21	1	2910-320	PIVOT CASTING ASS'Y
4	8	2520-352	1/2-13 HEX NUT ZP	22	1	2526-561	1 17/64ID X 1 7/8OD X 14GA MB BL
5	8	2525-352	1/2 MED LOCKWASHER ZP	23	1	2531-125	1/4 X 1 3/4 COTTER PIN ZP
6	1	2571-168	.157 X 20" MULTI HOLE FLUTED	24	1	2910-301	LOCKING COLLAR PLOW COULTER
7	1	2526-449	5/8 FLATWASHER, 1/4 ±.010 THK	25	1	2503-379	5/8-11 X 1 SQ HCPSS GR 5 ZP
8	2	2550-027	CONE, LM67048	26	2	2530-208	3/8 X 2 1/2 ROLL PIN ZP
9	2	2550-029	CUP (PRE-ASSEM. W/ NO. 10)	27	5	2520-452	5/8-11 HEX NUT ZP
10	1	2900-102	HUB SUB-ASSEMBLY	28	5	2525-451	5/8" MED. LOCKWASHER ZP
11	4	2505-339	1/2-13 X 1 1/2 CAR BLT GR 5 ZP	29	4	2502-394	5/8-11 X 8" HHCS GR. 5 ZP
12	1	2550-066	TRIPLE LIP SEAL, NTI #1812-4	30	4	2502-348	5/8-11 X 11" HHCS GR. 5 ZP
13	1	2502-410	3/4-16 X 3" HHCS GR 5 ZP	31	1	2526-351	1/2" STD. FLATWASHER ZP
14	1	2570-125	PRESSURE ROD, 9 3/8" EYEBOLT	32	1	2502-385	5/8-11 X 3-1/4" HHCS GR. 5 ZP
15	1	2910-311	7/16 WIRE 2 1/8 OD X 1 1/4 ID X 7 1/4 C SPRING	33	2	3010-303	STRAIGHT COULTER SHANK
16	1	2910-302	2910 SPRING BUSHING	34	2	3010-304	SHANK U-BOLT ZP
17	1	2520-516	3/4-10NYLON INSERT LCKNT, GR 2, ZP	35	1	2987-301	HUB CAP RETAINER
18	1	2520-508	3/4-16 HEX NUT ZP				

REVISED 04/29/15



## 2910 SERIES SPRING CUSHIONED PLOW COULTER PARTS & INSTALLATION

KEY.	QTY.	PART NO.	DESCRIPTION
1	1	2502-410	3/4-16 X 3" HHCS GR5 ZP
2	1	2531-125	1/4 X 1 3/4" COTTER KEY
3	1	2526-561	1-17/64"ID X 7/8" X 14GA MACHINERY BUSHING
4	1	2910-320	PIVOT CASTING
5	1	2910-311	SPRING
6	1	2910-302	SPRING BUSHING
7	1	2520-516	3/4-10 LOCK HEX NUT ZP
8	1	2520-508	3/4-16 HEX NUT ZP
9	1	2570-125	EYEBOLT, 3/4" EYE
10	1	2520-511	3/4-16 LOCK HEX NUT ZP
11	1	2910-201	COULTER ARM W.A.
12	1	2910-127	SPRING CUSHIONED BRKT. AND HUB ASSEMBLY (INCLUDES 1-11)
13	1	2910-301	LOCKING COLLAR
14	1	2503-379	5/8"-11 X 1 SQ. HCPSS GR. 2
15	OPT.	2571-076	20" RIPPLE BLADE
	OPT.	2571-077	17" RIPPLE BLADE



UPDATED 02/20/15

### INSTALLATION AND OPERATING INSTRUCTIONS



**Caution: COULTER BLADE HAS SHARP EDGE.  
USE CARE WHEN WORKING WITH OR CLOSE TO BLADES**

Place the coulters and locking collar (2910-301) over the shank then insert pin through the retainer hole. After aligning coulters for proper position, tighten setscrew in locking collar. When tightening setscrew, align locking collar in center of slot in hinge casting for maximum swivel.

The coulters are equipped with tapered bearings; and are pre-lubricated during assembly. Grease the zerk on the hinge casting (2910-320) prior to using the coulters then grease the hinge casting and hub assembly every 50 hours. Before going to the field, check the springs to be sure they have been given a preload tension. If the spring can be rotated on the push rod by hand, it is too loose and must be tightened. Failure to do so may result in lost parts or excessive wear. Approximately one inch of threads on the end of the push rod should be exposed when the spring is properly preloaded.

*PERIODICALLY CHECK ALL NUTS TO BE SURE THEY ARE TIGHT.*

#### YETTER MANUFACTURING CO.

FOUNDED 1930

Colchester, IL 62326-0358

Toll free: 800/447-5777

309/776-3222 (Fax)

Website: [www.yetterco.com](http://www.yetterco.com)

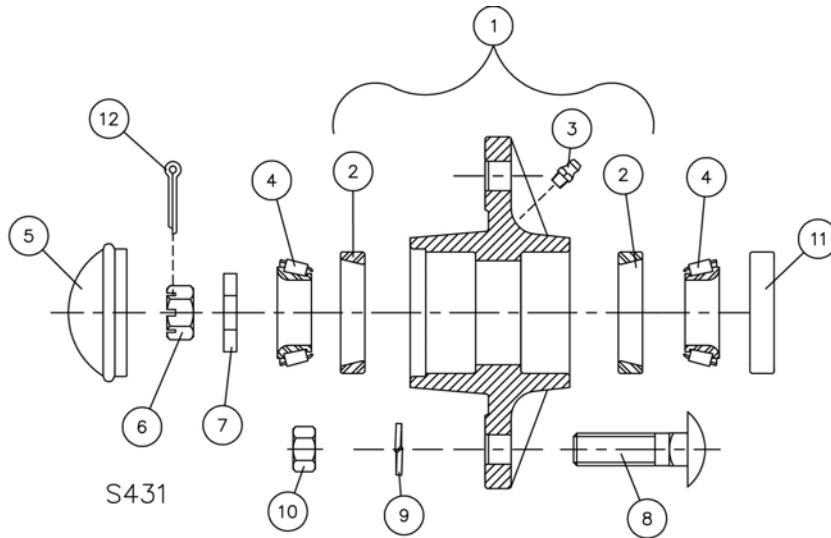
E-mail: [info@yetterco.com](mailto:info@yetterco.com)

# YETTER

# Yetter

## FARM EQUIPMENT

### HUB ASSEMBLY



DET	QTY	PART NO.	DESCRIPTION
1	1	2900-105	HUB PRESSED ASSEMBLY
2	2	2550-029	LM67010 CUP (PRE-ASSEMBLED W/NO. 1)
3	1	2533-110	1/4-28 ZERK STRAIGHT SELF-TAP (PRE-ASSEMBLED W/NO. 1)
4	2	2550-027	LM67048 CONE
5	1	2570-375	HUB CAP
6	1	2520-469	5/8-18 SLOTTED HEX NUT, BLACK
7	1	2526-449	5/8" FLATWASHER, 1/4" THK.
8	4	2505-337	1/2-13 X 1-1/4 CAR BLT GR 5
9	4	2525-352	1/2" MED LOCKWASHER ZYD.
10	4	2520-352	1/2-13 HEX NUT ZYD
11	1	2550-066	TRIPLE LIP SEAL, NTI #1812-4
12	1	2531-102	1/8 X 1/4 COTTER PIN, BLACK
		2900-123	HUB ASSEMBLY (INCLUDES #'S 1 THRU 11)

UPDATED 02/20/15

# YETTER